



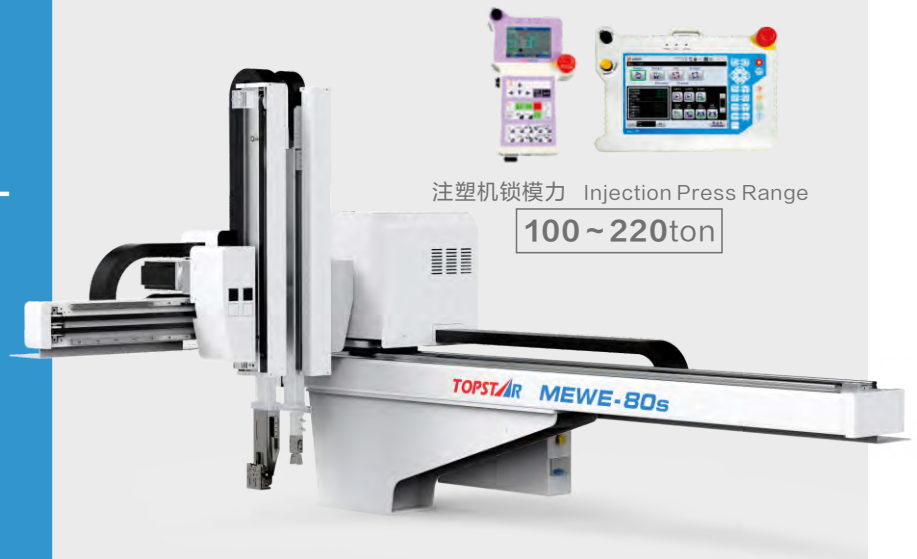
横走式三轴/五轴伺服机械手

Cross-walking Three-Axis/Five-Axis Servo Driven Robots

MEWE-80 / MEWE-80s

注塑用机械手 TAKE-OUT ROBOT

**MEWE-80
MEWE-80s**

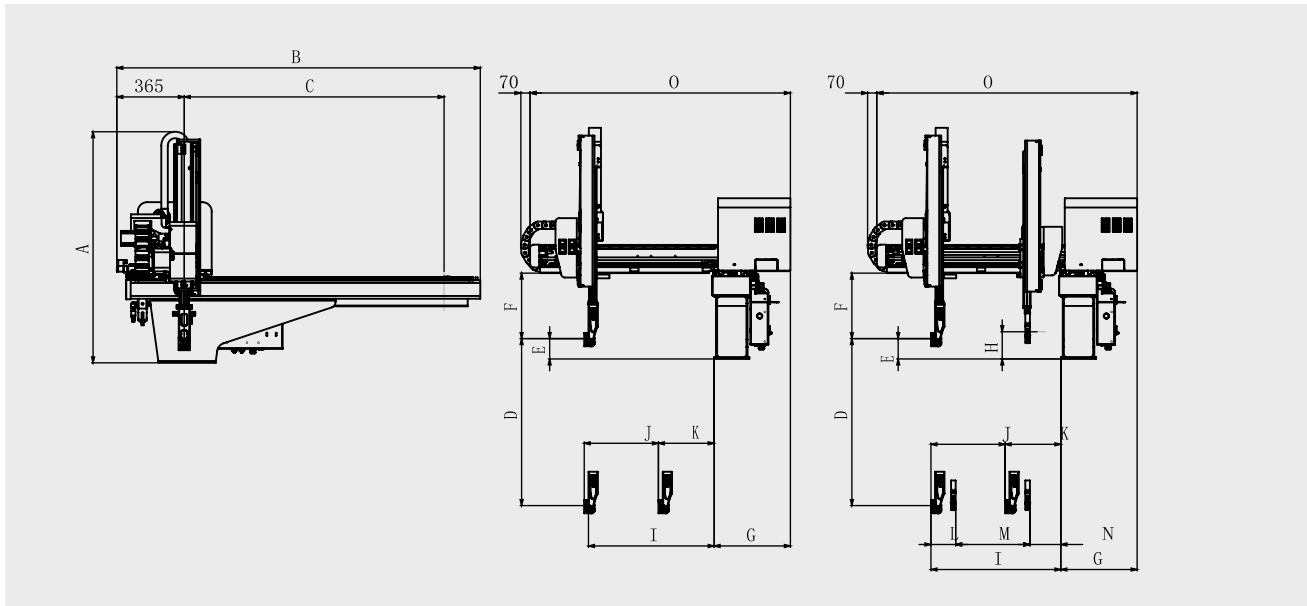


标准功能 STANDARD FUNCTION

- 装箱动作 (各轴256点)
Packaging motion (Max. 256 points)
- 自由装箱点 (115点×2处)
Free packaging motion (115points×2stage)
- 取出侧前进姿势控制
Forward and rotate at removing side
- 走行途中姿势
Posture control during traverse
- 落下测下降途中姿势
Posture midway descent at release side
- 顶针连动
Ejector link
- 不良品排出回路
Defective product reject circuit
- 初期不良品排出回路
Initial defective product reject circuit
- 取出下降待机
Delayed arm descent
- 胶口途中开放 (去程, 返程)
Midway runner release (Move, Revert)
- 水口模内开放
Runner release within mold
- 吸着确认单元 (2回路)
Additional vacuum sensing unit (2 circuit)
- 横走行待机
Delayed traverse
- 滑移取出回路
Undercut extract circuit
- 输送带启动信号
Start signal of conveyor
- 内部存储记忆 (最大100种类型)
Internal memory (for Max 100 molds)
- 设定值锁定功能
Lock function of setting value
- 固定可动切换
Extraction from fixed mold
- 2国语言切换 (中文, 英文)
Two language exchange (Chinese/English)

型式 MODEL 单位 UNIT MEWE-80 MEWE-80s

电源 Power Source	V	AC220±10% 50/60Hz	
最大消费电力 Max Power Consumption	KW	1.55	2.35
使用气压 Air Pressure	Mpa	0.5~0.7	
空气消费量 Air Consumption	NI/cycle	2.9	
驱动方式 Drive System	---	伺服马达 / AC Servo Motor	
姿势 (气缸) Posture (Air Cylinder)	---	90°固定 / 90°Fixed	
■ 气缸推力 (气压0.49MPa时) Air Cylinder Driving Force (Air Pressure at 0.49MPa)			
最大可搬重量 Max.Load	Kg	5【含夹具重量 / Incl Chuck Weight】	
姿势力矩 Posture Torque	N·m	10.1	
■ 行程 Stroke			
主臂上下 Main-arm Vertical	mm	900	900
副臂上下 Sub-arm Vertical	mm	---	900
前后(主臂,副臂) Crosswise (M,S)	mm	主臂/M 100~740	副臂/S 290~740 副臂/S 165~615
走行 Traverse	mm	1400 (1600)	
■ 本体重量 Net Weight			
本体 Main Body	Kg	250	
操作盒 Pendant	Kg	1.6	



外形尺寸 OUTER DIMENSIONS

MEWE-80 MEWE-80s

选项功能 OPTION FUNCTION

A	总高 Overall height	1330mm	
B	总长 Overall length	1920(2100)mm	
C	走行行程 Traverse stroke	1400(1600)mm	
D	主臂上下行程 Main-arm vertical stroke	900mm	
E	主臂上下待机 Main-arm vertical standby	110mm	
F	夹具安装有效空间 Bottom of crosswise to chuck mount position	335mm	
G	底座里侧面-箱体末端 Base side face-Box end	400 mm	
H	副臂上下待机 Sub-arm Vertical standby	---	160 mm
I	主臂前进最大值 Main-arm reach max	740 mm	
J	主臂前进最大行程 Main-arm crosswise stroke max	630 mm	400 mm
K	主臂前后待机最小值 Main-arm crosswise standby min	100 mm	290 mm
L	主副臂接近最小值 Main/Sub-arm proximity min	---	170 mm
M	副臂前进最大行程 Sub-arm crosswise stroke max	---	400 mm
N	副臂前后待机最小值 Sub-arm crosswise standby min	---	195 mm
O	前后臂末端-箱体末端 Crosswise arm end-Box end	1375 mm	

- ◆ 夹具内剪刀回路
Air nipper in chuck circuit
- ◆ NT剪切·可动侧
NT gate cutting on crossmember of moving
- ◆ 吸着确认2回路
Additional vacuum sensing unit (2 circuits)
- ◆ 制品夹取2回路
Product gripping 2 circuits
- ◆ 吸着确认4回路
Additional vacuum sensing unit (4 circuits)
- ◆ 制品夹取4回路
Product gripping 4 circuits
- ◆ 上升途中闭模
Mold close during ascend
- ◆ 回转单元
Rotation unit
- ◆ 顶针后退连动
Ejector return link
- ◆ 欧规12
EUROMAP12
- ◆ 欧规67
EUROMAP 67

- 当尺寸C是1400mm时，尺寸B为1920mm
- when dimension C is 1400mm , B is 1920mm

- 当尺寸C是1600mm时，尺寸B为2100mm
- when dimension C is 1600mm , B is 2100mm

有关产品性质和适用范围的说明并不保证产品属性，仅作可供了解的信息。我们的供货范围及提供的服务完全以合同条款为准绳。技术数据和插图仅作为供货参考。保留更改权利。

Feature and scope of the product does not guarantee the product attributes, only for reference. Our scope of delivery and services provided are based solely on the terms of delivery and services provided are based solely on the terms of the contract. Technical data and illustration are only for reference. We reserve the rights of changing.

TSD-2021-12

广东拓斯达科技股份有限公司

GUANGDONG TOPSTAR TECHNOLOGY CO.,LTD.

地址：广东省东莞市大岭山镇大塘朗创新路2号

ADD : No.2 Chuangxin Road, Datanglang, Dalingshan Town, Dongguan City, Guangdong Province.

电话/TEL: 0769-8305 0999 传真/FAX: 0769-8584 5562

全国统一客服热线 Domestic Service Hotline **400-096-8005**

