



慢速静音粉碎机TGL系列

TGL Series Low Speed Sound-Proof Granulators

TGL

慢速静音粉碎机 TGL系列 TGL Series Low Speed Sound-Proof Granulators

TGL



属于无筛网型塑胶回收粉碎机。20~28 rpm低速运转，齿啃式刀具设计，专门设计用于粉碎各类硬性及易脆塑胶之不良产品，次品的机边粉碎回收利用；尤其适合粉碎回收PC、尼龙、ABS等硬质水口料。具有转速低，扭矩大，噪音低，产生粉尘少，操作简便的优点，而且具备产品粉碎颗粒均匀，粉碎效果极佳，设备运转中无过热现象，使用寿命长等特点。

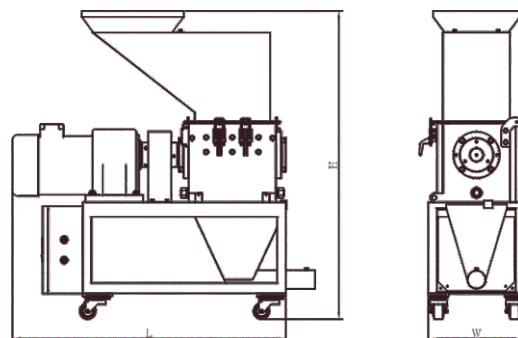
As Low Speed Sound-Proof Granulators are non-mesh slow speed plastic recycling units with 25~30rpm which specially designed with teeth cutters for crushing various defective products made of rigid plastics and brittle plastics such as PC, nylon, ABS and so on. All these models are characterized with low speed & high torque, low noise, less powder pollution, easy operation, granulating in even, no-overheating in operation and long service life.

● 特点 Features

- 无筛网设计，碎料均匀粉末少。
- 结构合理，小巧占用空间小，适合狭小空间机台旁使用。
- 刀具采用优质合金材质，经久耐用。
- 30S立即回收可减少对水口料的湿化，氧化等破坏。
- 20~28RPM低速运转，省电，无噪音公害。
- 中空轴型齿轮减速电动机驱动，无需加油节省空间。
- 本系列粉碎机适合回收PC，PBT，ABS，尼龙等硬质水口料。

- Non - mesh screen design ,well-proportioned granules and less powderpollution.
- Optimized structure of machine with small footprint which is especially suitable for the limited space of workshop to use.
- Blades are made of excellet alloy material with long service life.
- 30 sec instant recycling system to keep regrind material free from color changing by oxidation or damping .
- Low speed at 20~28 rpm, power saving , less noise.
- This unit is driven by shaft gear-motor, no need oil.

● 产品结构图 Product Structure Diagram

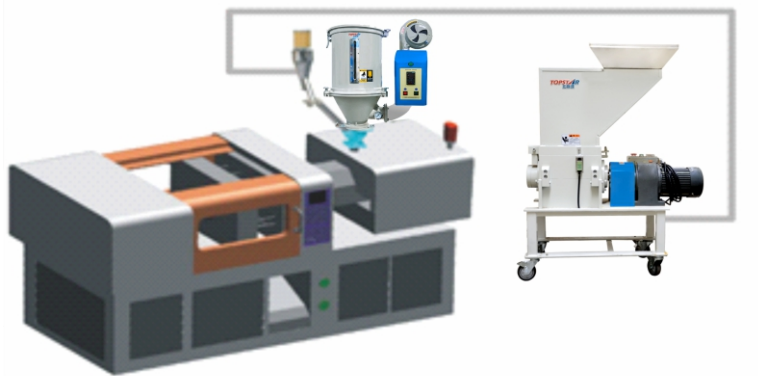


● 规格表 Specification Sheet

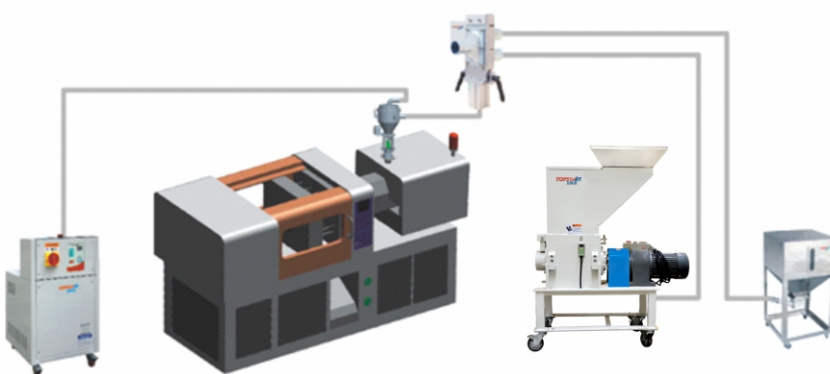
产品型号 MODEL	TGL-2526SB-L	TGL-2526SS-L	TGL-3232SB-L	TGL-3232SS-L	TGL-3243SB-L	TGL-3243SS-L
粉碎口径 Crushing Chamber (mm)	253×225		305×305		310×415	
粉碎能力(以PP料为标准)Crushing Ability (Kg/h)	10~15		20~30		30~40	
主轴转速 Revolutions (r/min)	20~24		20~24		20~24	
刀具结构形式 Cutter Type	滚刀Rotary+S刀S Knife		滚刀Rotary+S刀S Knife		滚刀Rotary+S刀S Knife	
旋转刀数量 Rotating Blades	S刀2件Two S+滚刀3件Three Rotary		S刀2件Two S+滚刀3件Three Rotary		S刀2件Two S+滚刀3件Three Rotary	
固定刀数量 Fixed Blades	6		6		8	
马达功率 Motor Power (HP)	1.5		2		3	
机器总功率 Total Power (KW)	1.1		1.5		2.2	
电源线规格 Wires Specifications (mm2)	4×1.5					
电源线长度 Wires Length (m)	5					
噪音 Noise Level (dB)	85					
碎料回收方式 Crushing Recycle Type	料箱式 Box	吸料式 Suction	料箱式 Box	吸料式 Suction	料箱式 Box	吸料式 Suction
外形尺寸 Imensions LxHxW(m)	0.91×1.29×0.43	0.91×1.29×0.43	1.05×1.33×0.48	1.05×1.33×0.48	1.16×1.35×0.48	1.16×1.35×0.48
重量 Weight(Kg)	205		280		323	

注：产品规格若有变更，恕不另行通知 We reserve right to change specifications without prior notice

● 吹料式回收系统流程图 Blown Material Type Recovery System Flowchart



● 新次料比例回收系统流程图 The Data of The Proportion of The New Recovery System Flow Chart



有关产品性质和适用范围的说明并不保证产品属性，仅作可供了解的信息。我们的供货范围及提供的服务完全以合同条款为准绳。技术数据和插图仅作为供货参考。保留更改权利。

Feature and scope of the product does not guarantee the product attributes, only for reference. Our scope of delivery and services provided are based solely on the terms of delivery and services provided are based solely on the terms of the contract. Technical data and illustration are only for reference. We reserve the rights of changing.

TSD-2021-12

广东拓斯达科技股份有限公司

GUANGDONG TOPSTAR TECHNOLOGY CO.,LTD.

地址：广东省东莞市大岭山镇大塘朗创新路2号

ADD : No.2 Chuangxin Road, Datanglang, Dalingshan Town, Dongguan City, Guangdong Province.

电话/TEL: 0769-8305 0999 传真/FAX: 0769-8584 5562

全国统一客服热线 Domestic Service Hotline **400-096-8005**

